



- 01 - SITE IMAGE**
- 02 - PLAN IMAGE**
- 03 - PERSPECTIVE IMAGE**
- 04 - SETOUT PLAN**
- 05 - SURVEY PLAN**

- 06 - SECTIONS**
- 07 - DETAILS**
- 08 - DETAILS**
- 09 - DETAILS**
- 10 - LIGHTING IMAGE**

- 11 - PERSPECTIVE IMAGE**
- 12 - ELEVATION IMAGE**

**Sisters Beach
TASMANIA**
COMMUNITY-SPACE PROJECT

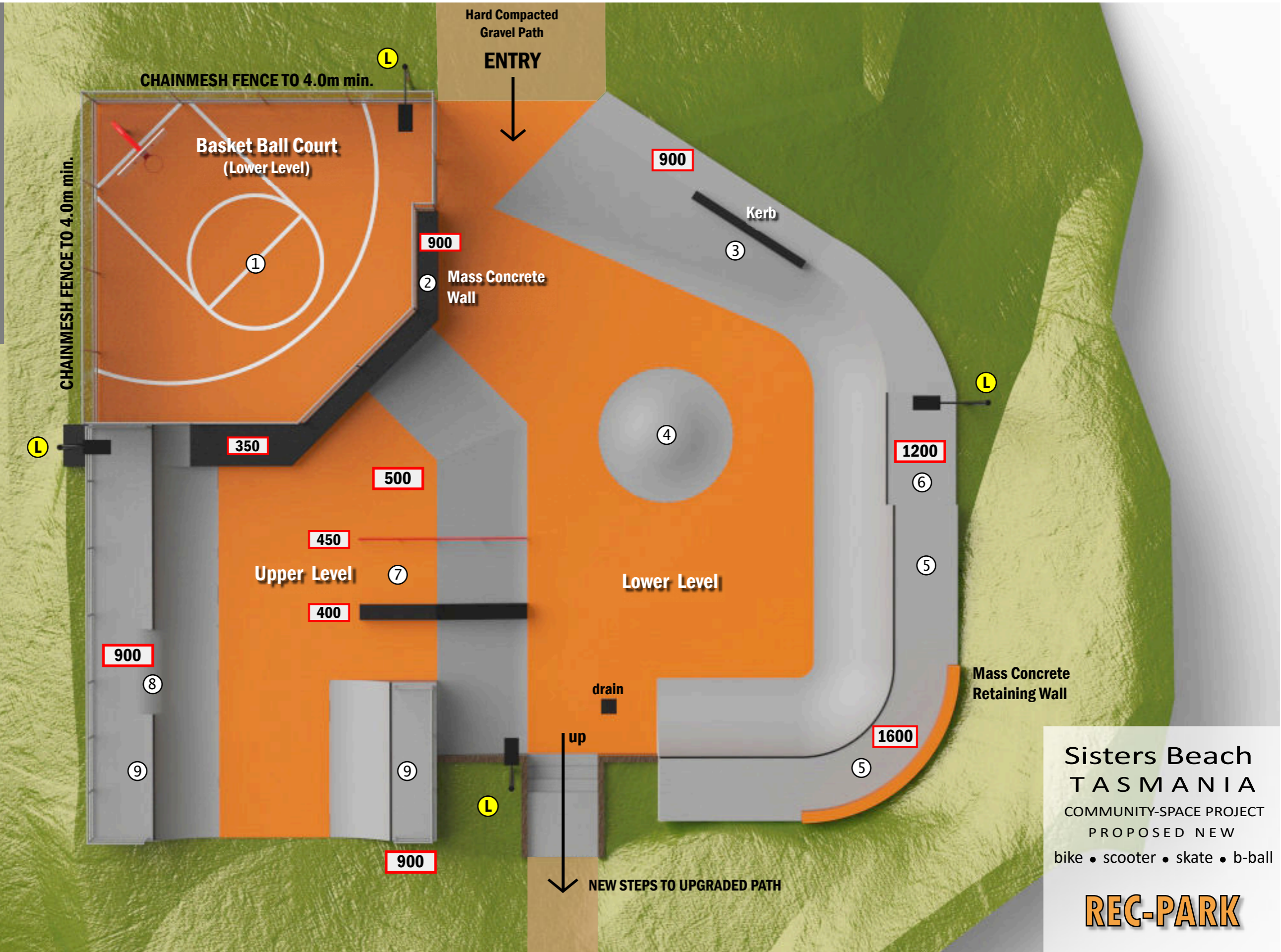
04 PROPOSED NEW
bike • scooter • skate • b-ball

REC-PARK



PROPOSED NEW DEVELOPMENT

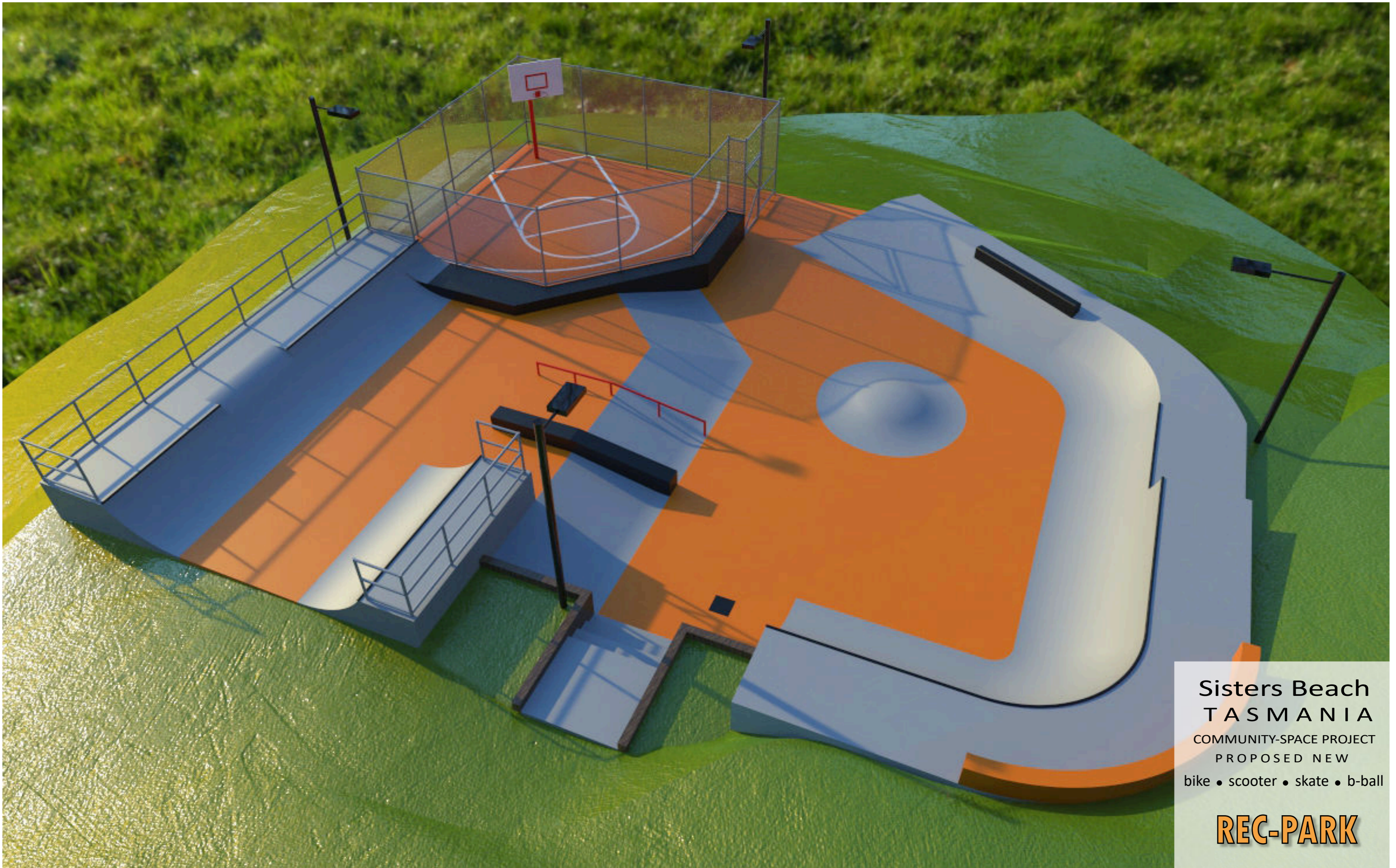
- ① Basket-ball court
- ② Low wall to 900 high
- ③ Kerb and bank to 900
- ④ Pump-hump 350 high
- ⑤ Quater-Pipe 1600 high
- ⑥ Quater-Pipe 1200 High
- ⑦ Hubba and Rail
- ⑧ Roll-in 900 high ramp
- ⑨ Half-pipe 900 high
- L LED street-light location
- 500 Height of feature (arbitrary)



**Sisters Beach
TASMANIA**
COMMUNITY-SPACE PROJECT
PROPOSED NEW
bike • scooter • skate • b-ball

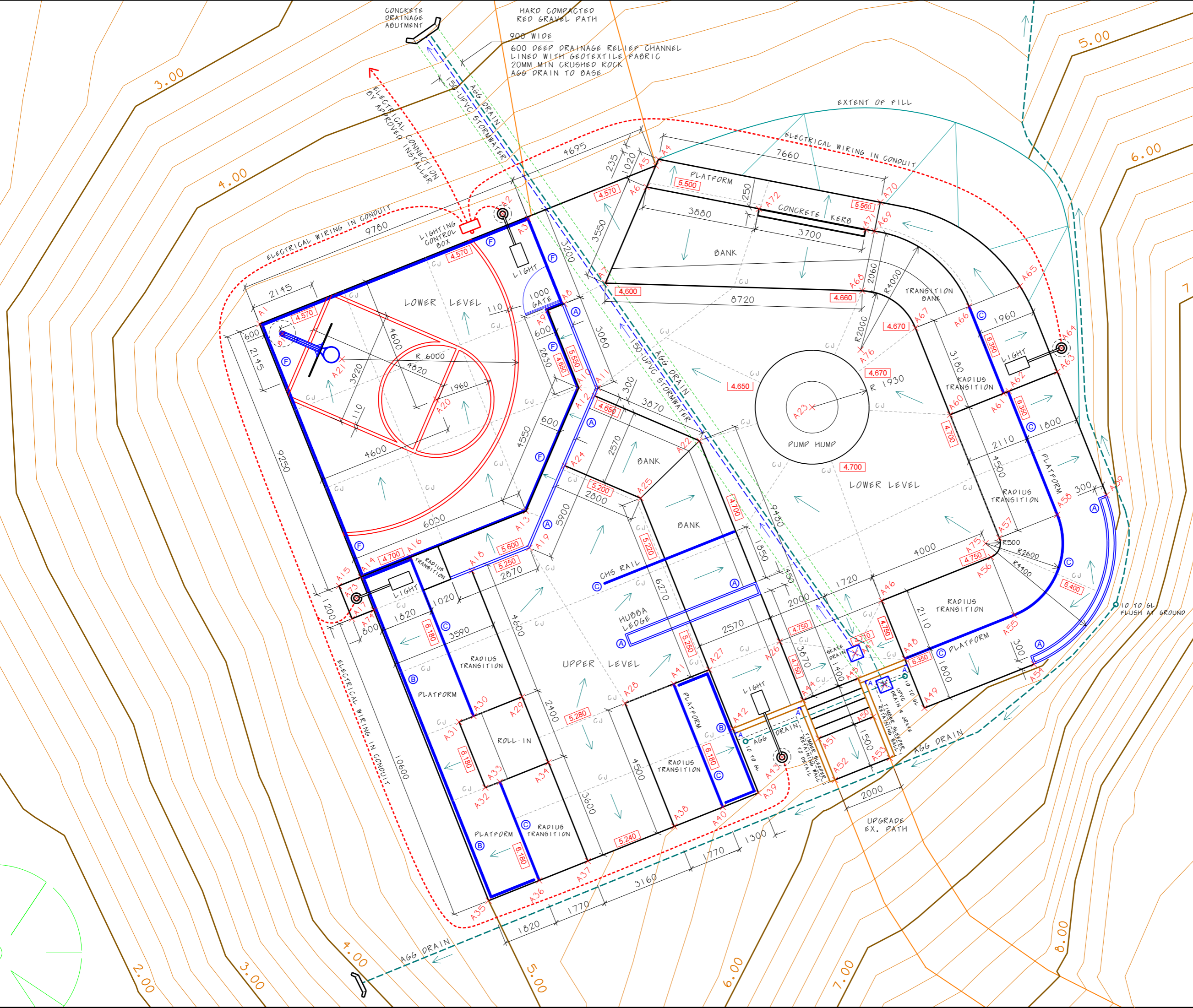
REC-PARK





Sisters Beach
TASMANIA
COMMUNITY-SPACE PROJECT
PROPOSED NEW
bike • scooter • skate • b-ball

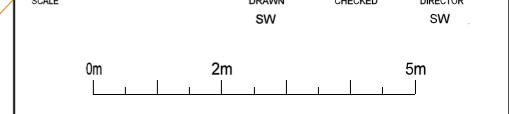
REC-PARK



CONCRETE DRAINAGE ADJUTMENT
 HARD COMPACTED RED GRAVEL PATH
 900 WIDE
 600 DEEP DRAINAGE RELIEF CHANNEL
 LINED WITH GEOTEXTILE FABRIC
 20MM MIN CRUSHED ROCK
 AGG DRAIN TO BASE

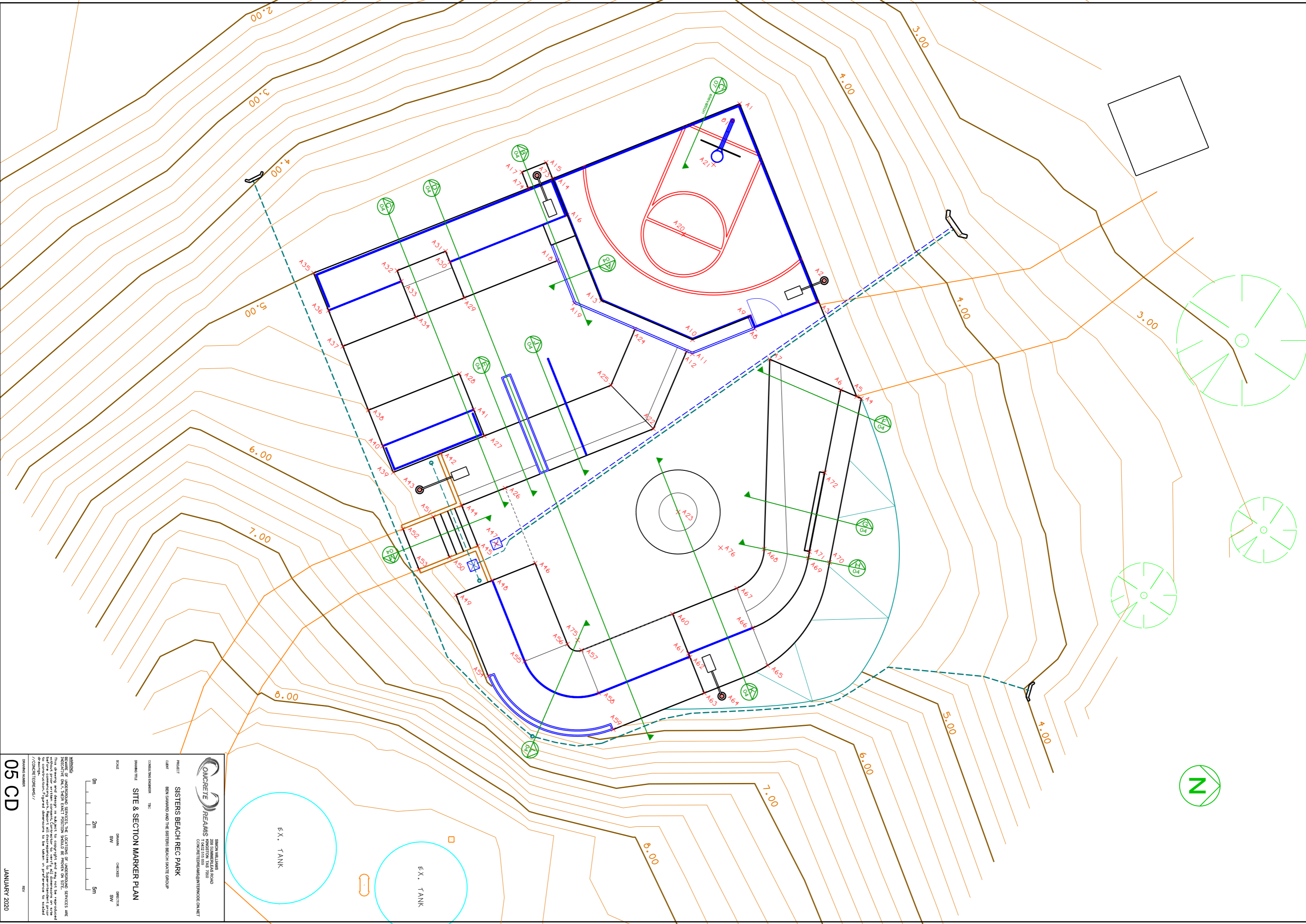
CONCRETE DREAMS
 SIMON WILLIAMS
 208 SUMMERLEAS ROAD
 KINGSTON TAS 7050
 T 0432 515 659
 CONCRETEDREAMS@INTERNODE.ON.NET

PROJECT: SISTERS BEACH REC PARK
 CLIENT: BEN SAWARD AND THE SISTERS BEACH SKATE GROUP
 CONSULTING ENGINEER: TBC
 DRAWING TITLE: SETOUT PLAN
 SCALE: _____ DRAWN: SW CHECKED: _____ DIRECTOR: SW



WARNING:
 BEWARE OF UNDERGROUND SERVICES. THE LOCATIONS OF UNDERGROUND SERVICES ARE INDICATIVE ONLY. THEIR EXACT POSITION SHOULD BE PROVEN ON SITE.
 This drawing and design is subject to copyright and may not be reproduced without prior written consent. Contractor to verify all dimensions on site before commencing work. Report all discrepancies to Superintendent prior to construction. Figured dimensions to be taken in preference to scaled drawings.
 //CONCRETEDREAMS//

DRAWING NUMBER: **04 CD** REV: _____ JANUARY 2020



CONCRETE REAMS
 SIMON WILLIAMS
 200 SUMMITLAND ROAD
 WESTON, TAS 7000
 CONCRETETEMPERANCE@GMAIL.COM

PROJECT: SISTERS BEACH REC PARK
CLIENT: BEN SWABO AND THE SISTERS BEACH SKATE GROUP

CONSULTING ENGINEER: TBC

DRAWING TITLE: SITE & SECTION MARKER PLAN

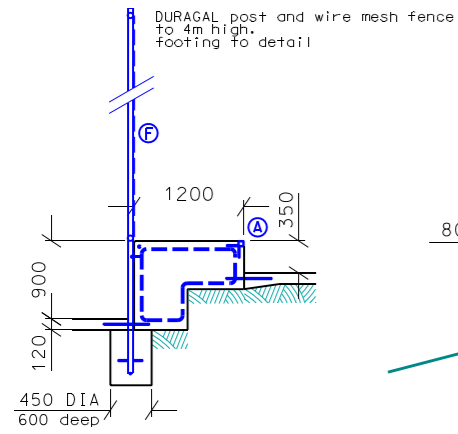
SCALE: DRAWN: SW, CHECKED: SW, SECTION: SW

DATE: 05 CD
REV: JANUARY 2020

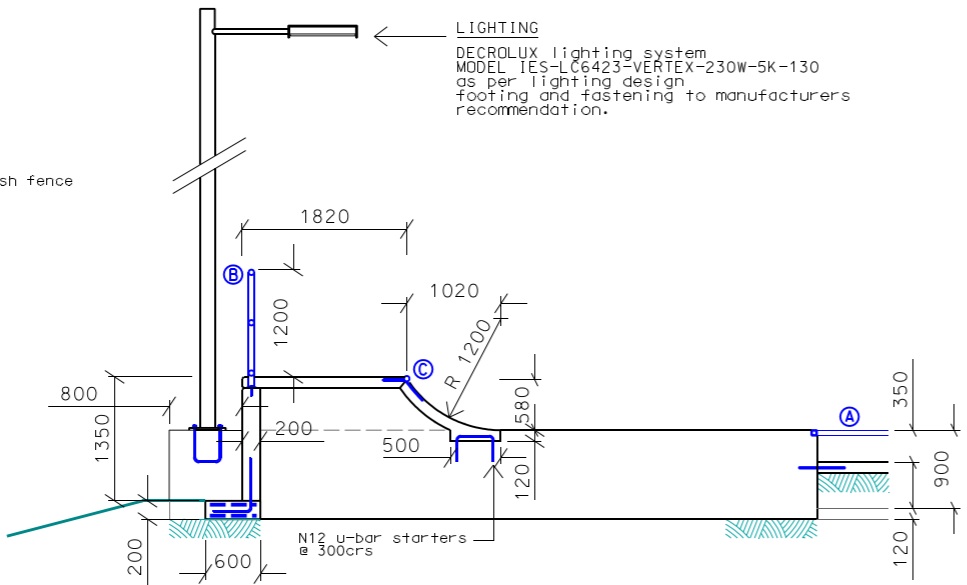
NOTES:
 1. UNDERGROUND SERVICES, THE LOCATION OF UNDERGROUND SERVICES ARE INDICATIVE ONLY, THEIR EXACT POSITION SHOULD BE PROVEN ON SITE.
 2. THIS DRAWING AND DESIGN IS SUBJECT TO COPYRIGHT AND MAY NOT BE REPRODUCED OR TRANSMITTED IN ANY FORM OR BY ANY MEANS, ELECTRONIC OR MECHANICAL, INCLUDING PHOTOCOPYING, RECORDING, OR BY ANY INFORMATION STORAGE AND RETRIEVAL SYSTEM, WITHOUT THE WRITTEN PERMISSION OF CONCRETE REAMS.
 3. ALL DIMENSIONS TO BE GIVEN IN PREFERENCE TO SCALED DIMENSIONS.
 4. CONCRETE TEMPERANCE

LEGEND:
 0m 2m 5m

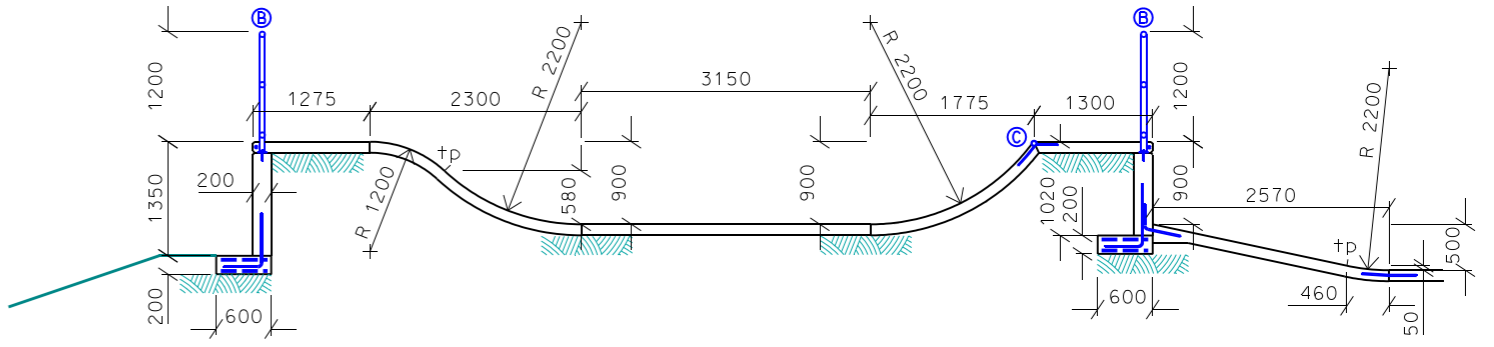
LIGHTING
 DECROLUX lighting system
 MODEL TES-L6423-VERTEX-230W-5K-130
 as per lighting design
 footing and fastening to manufacturer's
 recommendation.



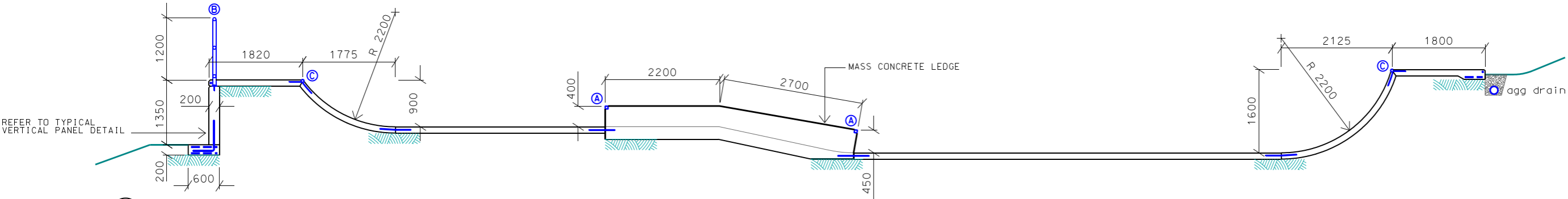
A LEDGE AND FENCE POST SECTION



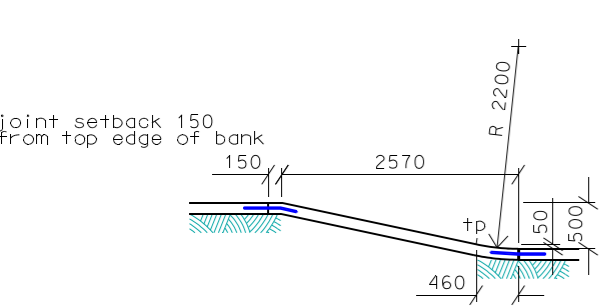
B LIGHT-POST LEDGE AND TRANSITION SECTION



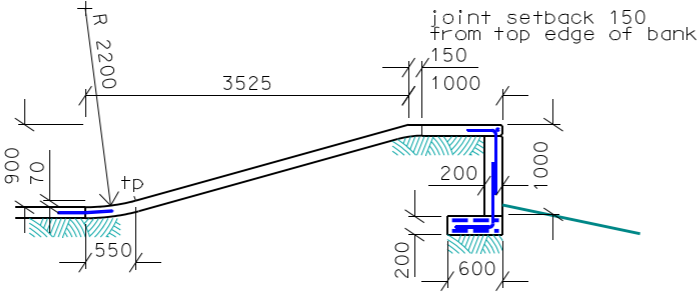
C HALF-PIPE ROLL-IN AND TRANSITION SECTION



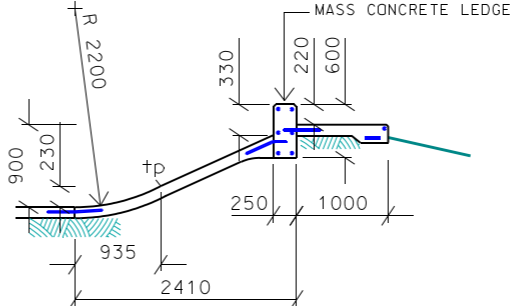
D TRANSITIONS AND HUBBA LEDGE SECTION



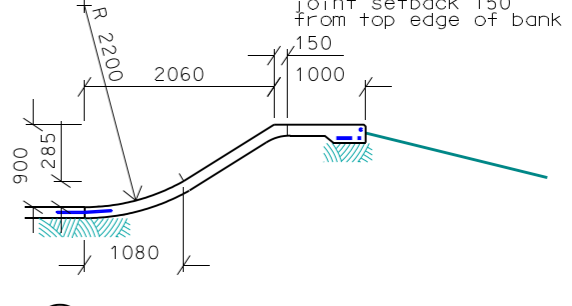
E FLAT-BANK SECTION



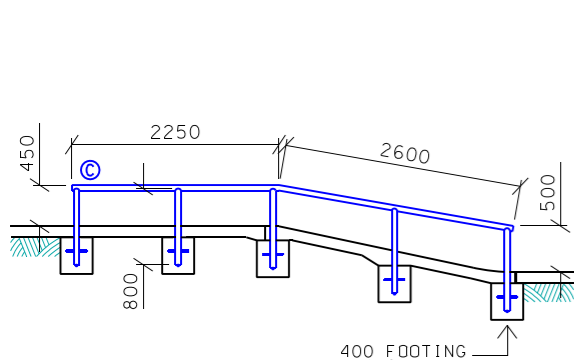
F FLAT-BANK SECTION



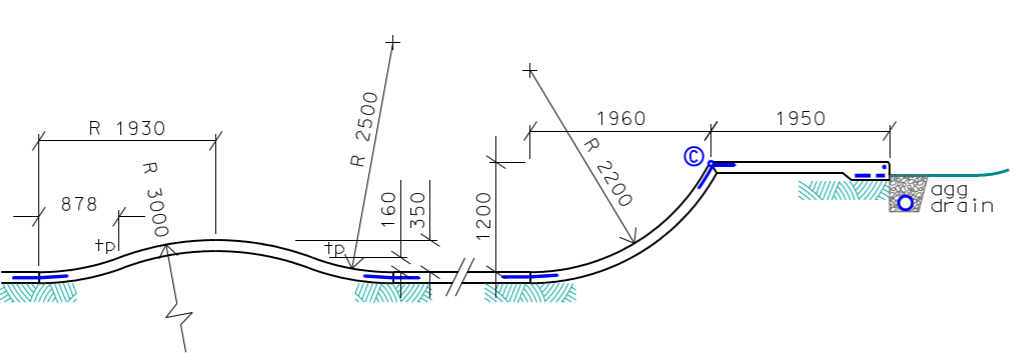
G FLAT-BANK WITH KERB SECTION



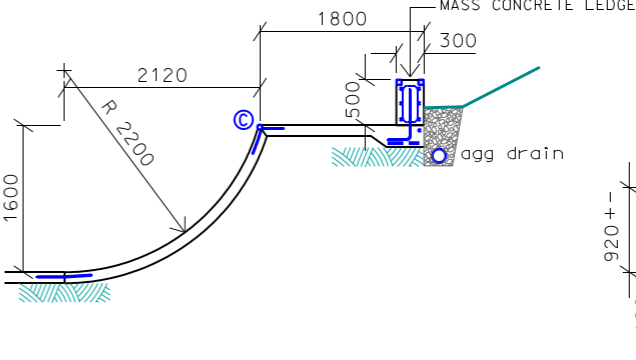
H FLAT-BANK SECTION



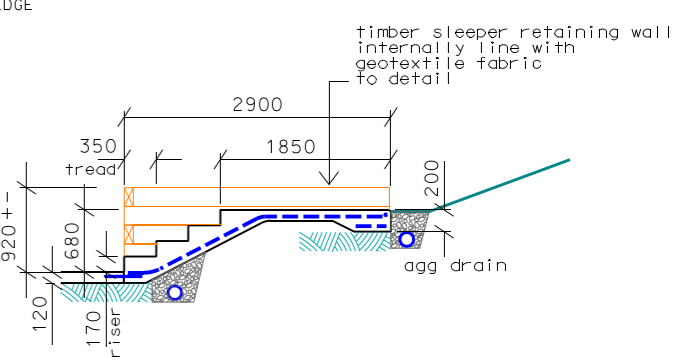
J DOWN-RAIL SECTION



K PUMP HUMP AND SMALL TRANSITION SECTION



L LARGE TRANSITION IN LOWER LEVEL AND LEDGE SECTION



M STEPS AND TIMBER RETAINING WALL SECTION



CONSULTING ENGINEER : TBC
 PROJECT : SISTERS BEACH SKATE PARK
 DESIGNED AND DRAFTED : SIMON WILLIAMS
 208 SUMMERLEAS ROAD
 KINGSTON TAS 7050
 T +0432 515 659
 concretdreams@internode.on.net

WARNING :
 BEWARE OF UNDERGROUND SERVICES. THE LOCATIONS OF UNDERGROUND SERVICES ARE INDICATIVE ONLY. THEIR EXACT POSITION SHOULD BE PROVEN ON SITE.
 This drawing and design is subject to copyright and may not be reproduced without prior written consent.
 Contractor to verify all dimensions on site before commencing work.
 Report all discrepancies to Superintendent prior to construction.
 Figured dimensions to be taken in preference to scaled drawings.
 //Concrete Dreams//

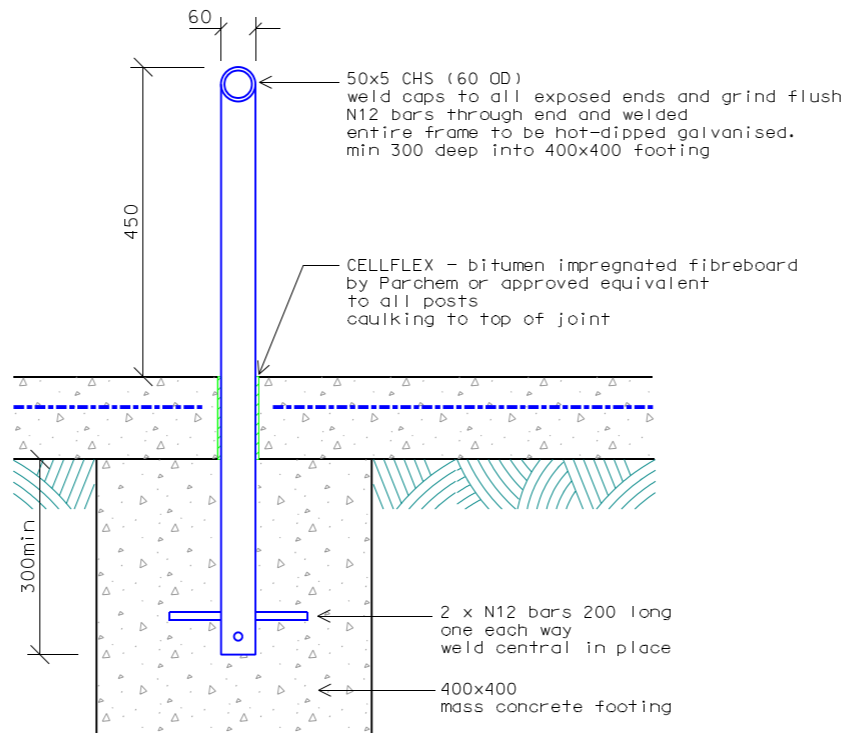
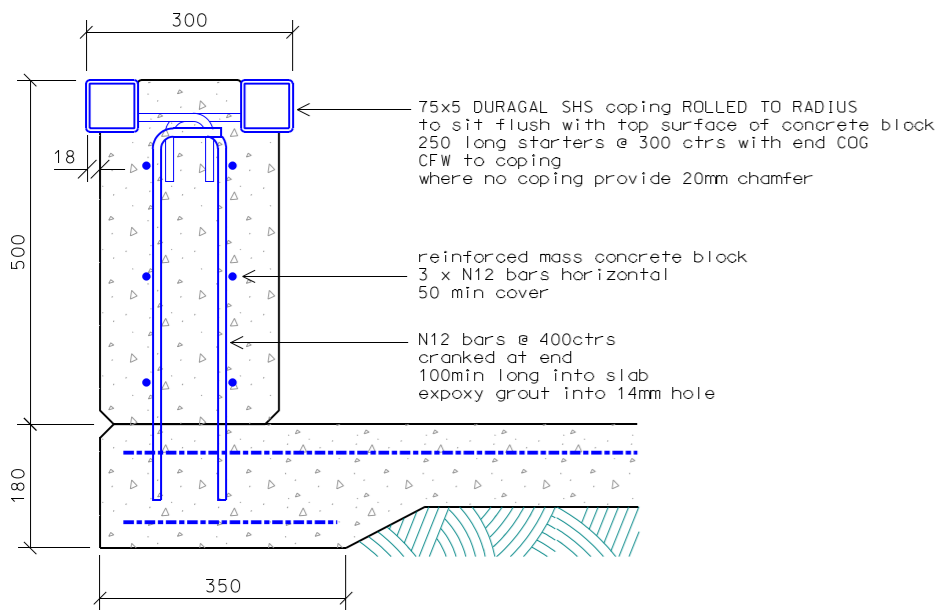
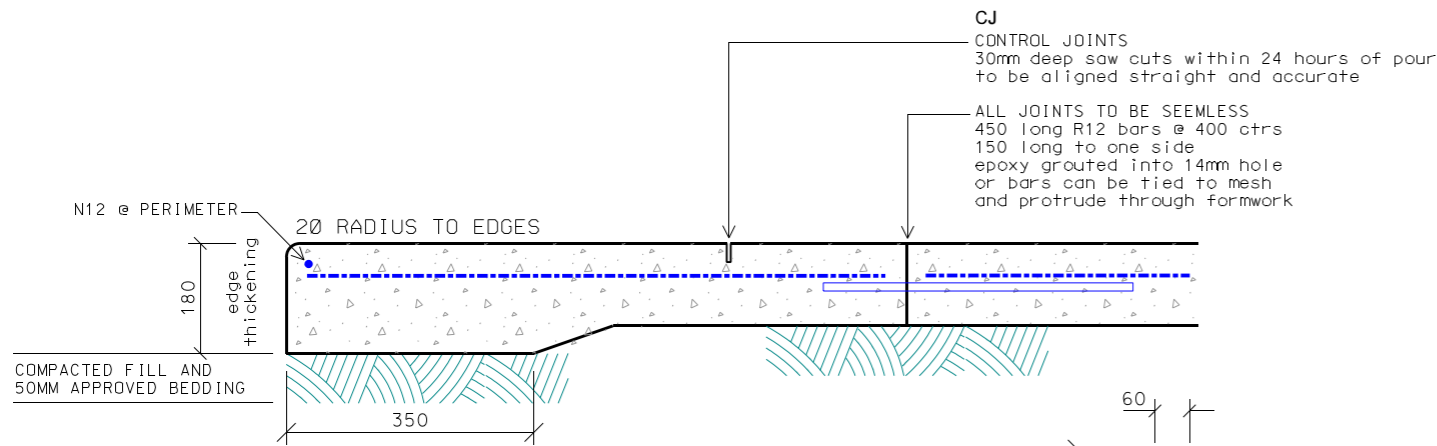
SISTERS BEACH REC PARK
SECTIONS
06 CD
 REV
 JANUARY 2020

NOTE

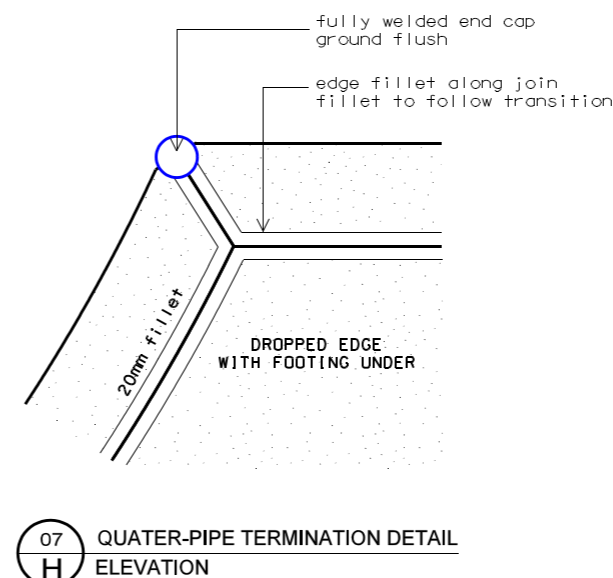
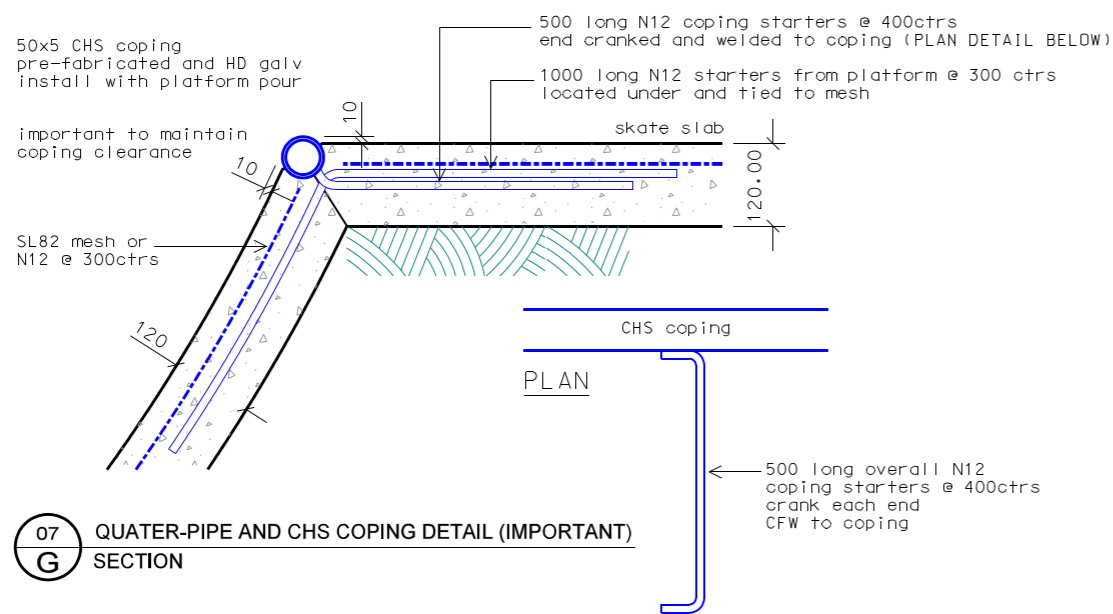
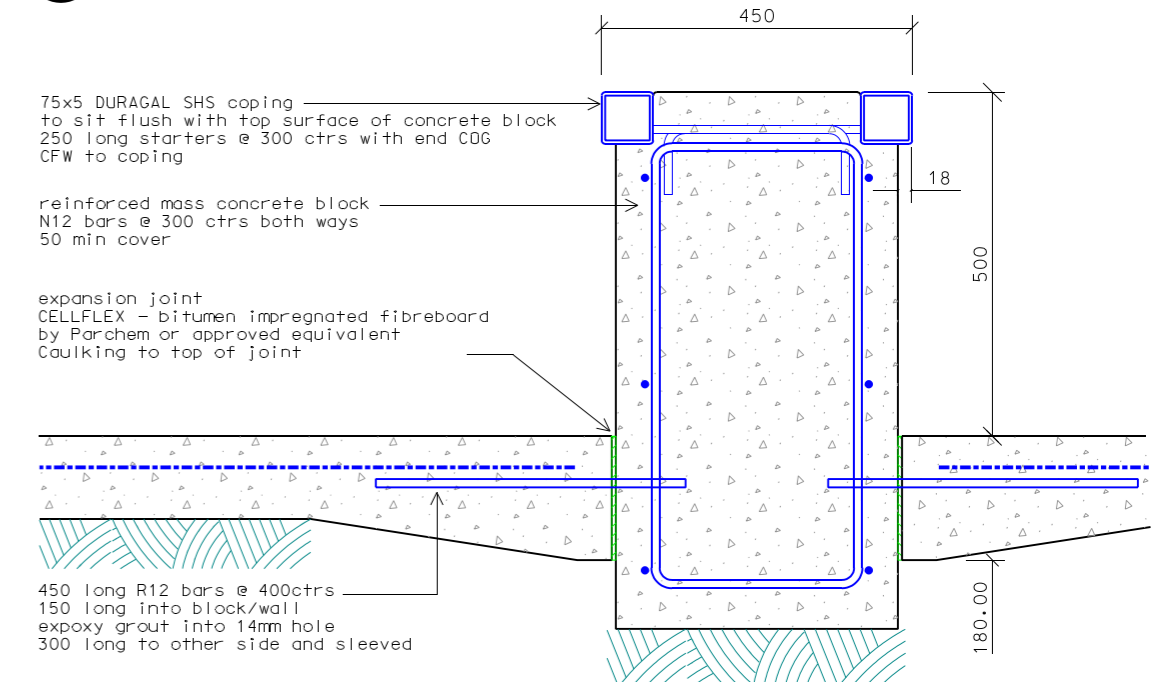
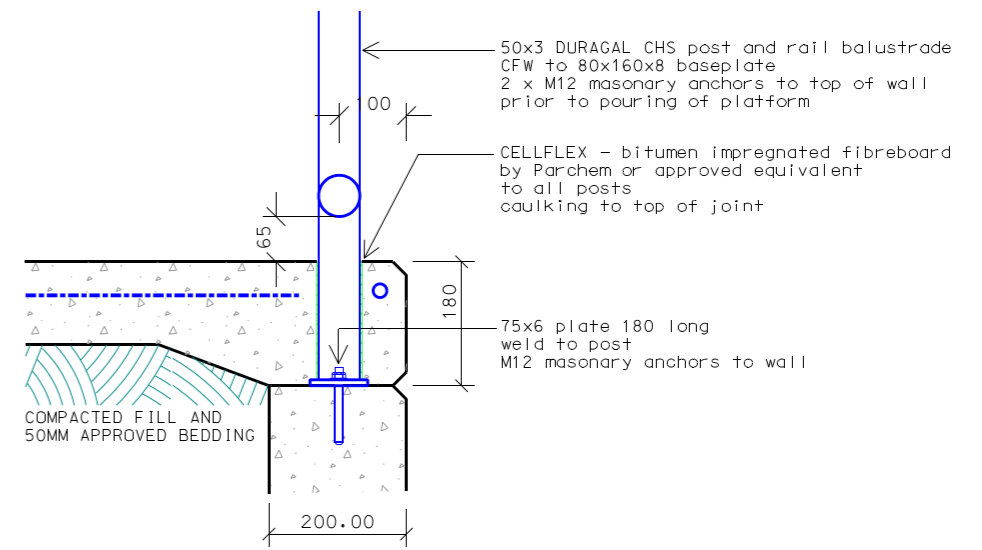
ALL TRANSITIONS MUST BE FORMED AND FINISHED TO A HIGH LEVEL OF ACCURACY
 USE ONLY APPROVED FORMWORK AND SHAPED SCREEDS.
 FREE-FORM SHAPING OF CONCRETE IS NOT ACCEPTABLE.
 CAREFUL ATTENTION MUST BE PAID TO COPING CLEARANCE ON ALL TRANSITIONS.
 APPROVED FILL TO BE PLACED IN 150 LAYERS MAX. AND THOROUGHLY COMPACTED.
 MIN. 50 MM CRUCHER DUST OR APPROVED BEDDING UNDER ALL SLABS AND FEATURES
 (EXCEPT TRANSITIONS WITH CHS COPING DUE TO CONSTRUCTION METHOD)

GENERAL

32MPA min. 120 thick conc. slab
 HIGH SILICA CONTENT MIX FOR POLISHED FINISH
 SL82 mesh or N12 @ 300 ctrs
 nominal 5mm aggregate
 50mm top cover
 BURNISH FINISHED with water applied to prevent lamination
 All surfaces must drain free of water



07 B BALUSTRADE CONNECTION DETAIL SECTION



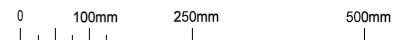
PROJECT SISTERS BEACH REC PARK

CLIENT BEN SAWARD AND THE SISTERS BEACH SKATE GROUP

CONSULTING ENGINEER TBC

DRAWING TITLE CONCRETE CONSTRUCTION DETAILS

SCALE DRAWN CHECKED DIRECTOR
 SW SW



WARNING: BEWARE OF UNDERGROUND SERVICES. THE LOCATIONS OF UNDERGROUND SERVICES ARE INDICATIVE ONLY. THEIR EXACT POSITION SHOULD BE PROVEN ON SITE.

This drawing and design is subject to copyright and may not be reproduced without prior written consent. Contractor to verify all dimensions on site before commencing work. Report all discrepancies to Superintendent prior to construction. Figured dimensions to be taken in preference to scaled drawings.

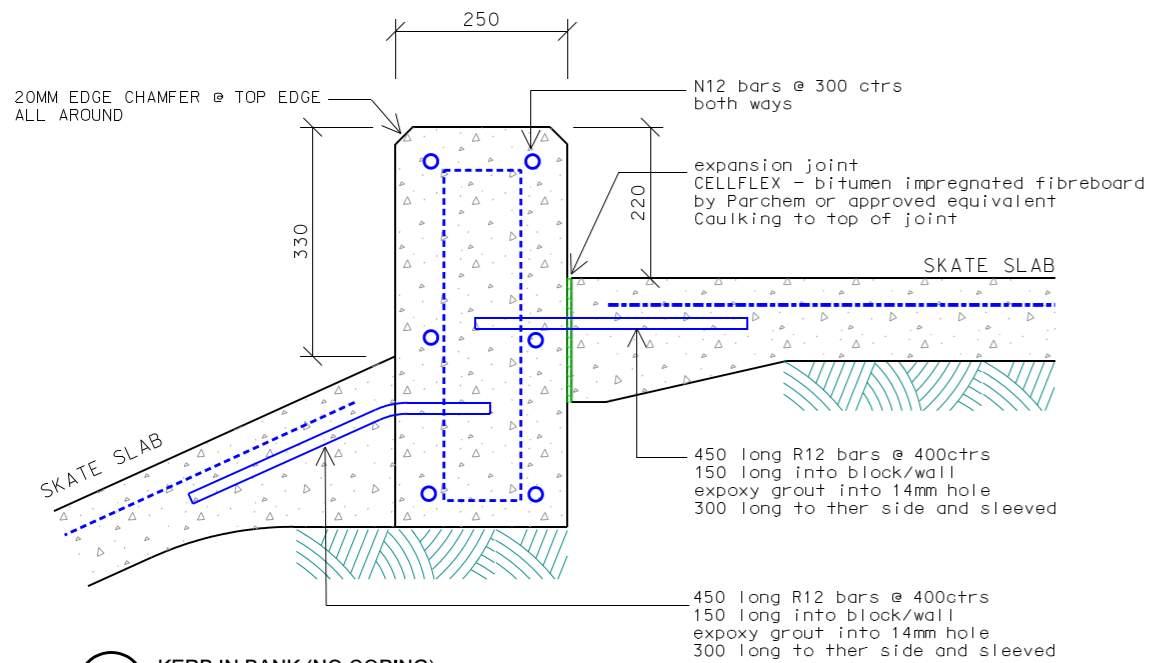
//CONCRETEDREAMS//

DRAWING NUMBER

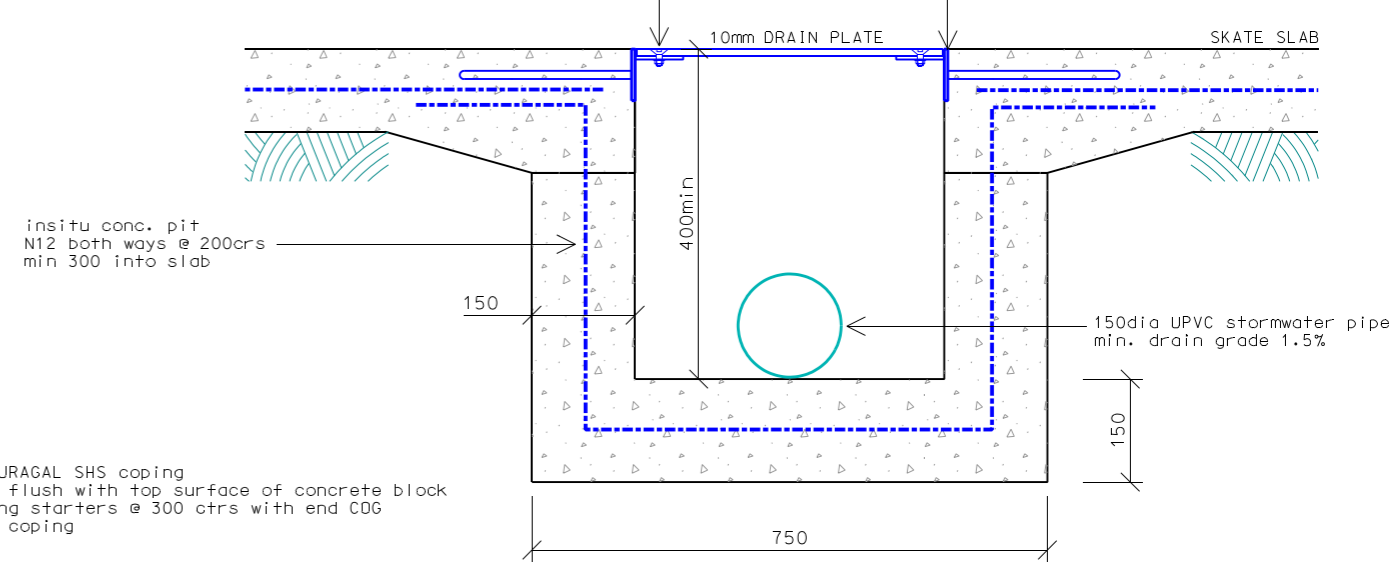
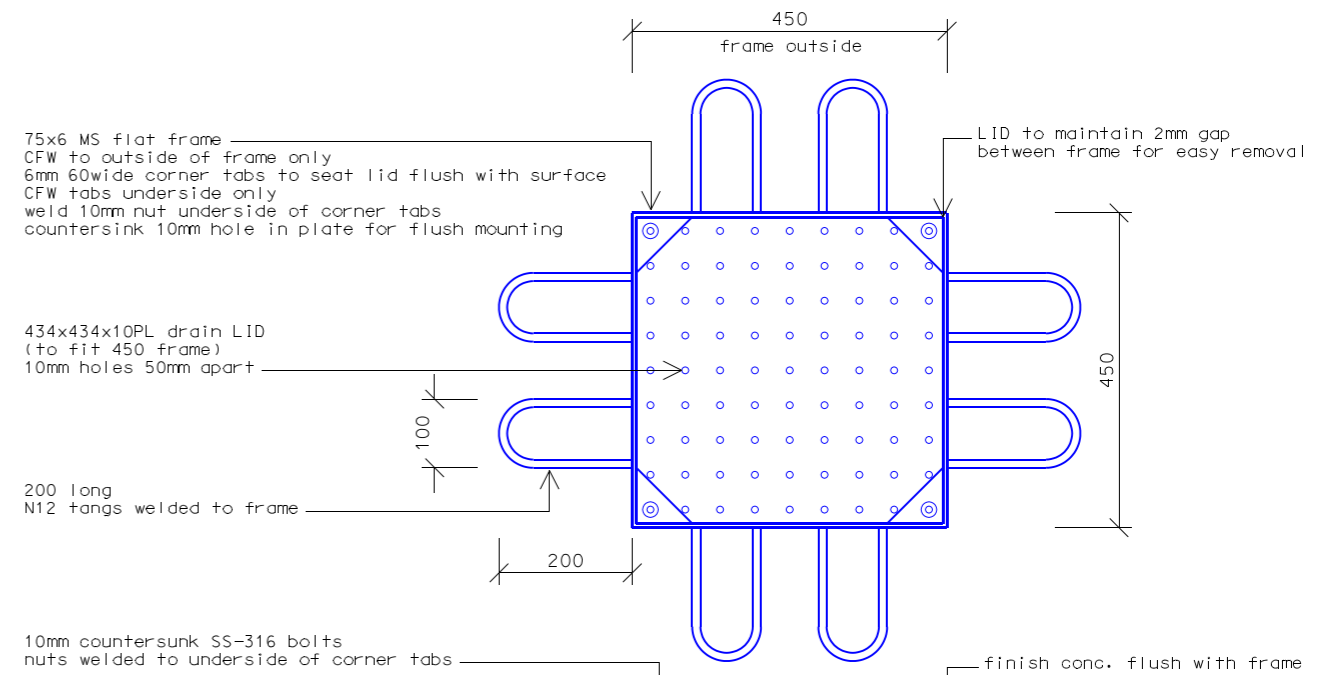
07 CD

REV

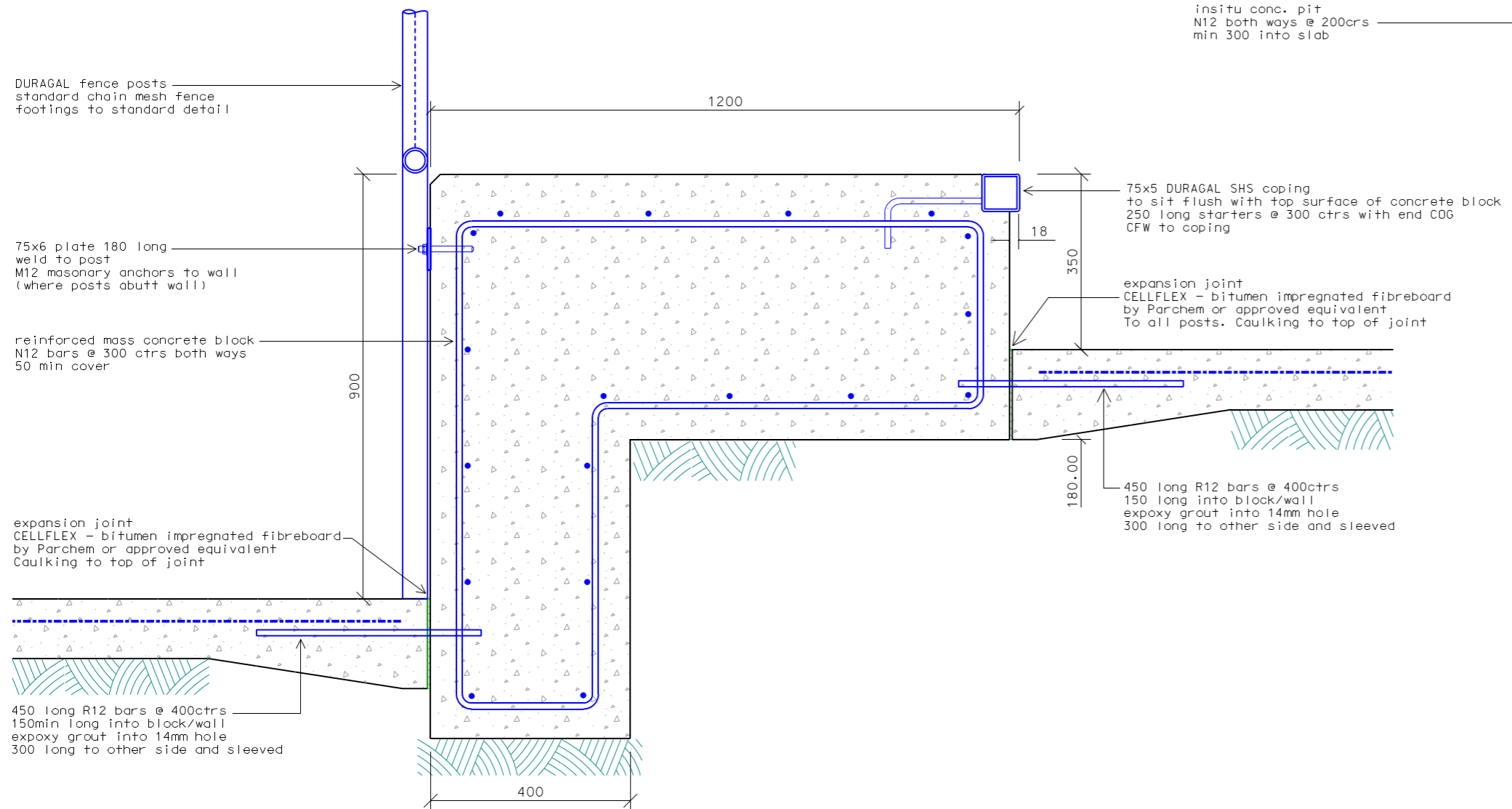
JANUARY 2020



08 KERB IN BANK (NO COPING)
J ELEVATION



08 TYPICAL CONCRETE DRAINAGE PIT
L DRAIN SECTION AND LID PLAN



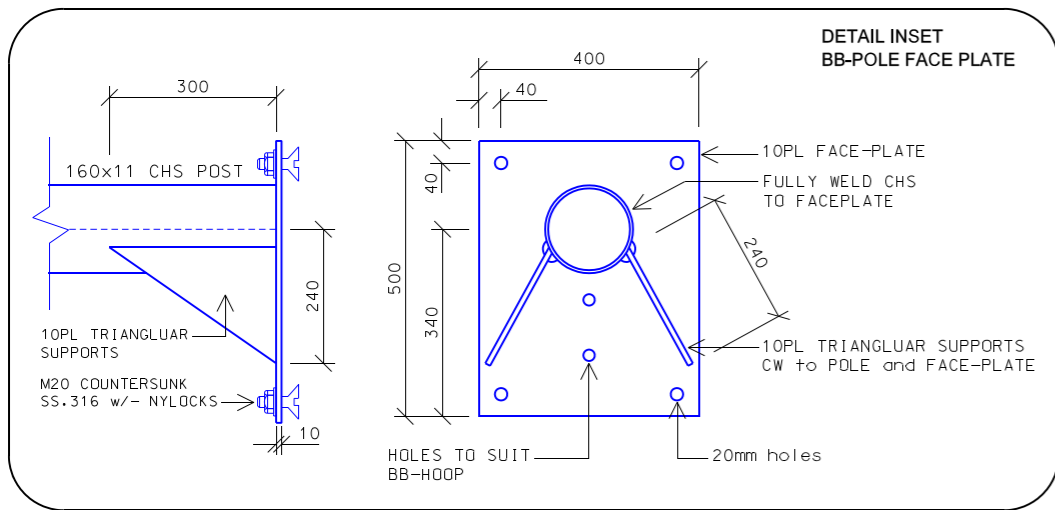
08 INDEPENDENT BLOCK AND VERTICAL CONNECTION DETAIL
K SECTION

CONCRETE DREAMS
SIMON WILLIAMS
208 SUMMERLEAS ROAD
KINGSTON TAS 7050
T 0432 515 659
CONCRETEDREAMS@INTERNODE.ON.NET

PROJECT **SISTERS BEACH REC PARK**
CLIENT **BEN SAWARD AND THE SISTERS BEACH SKATE GROUP**
CONSULTING ENGINEER **TBC**
DRAWING TITLE **CONCRETE CONSTRUCTION DETAILS**
SCALE **SW** DRAWN **SW** CHECKED **SW** DIRECTOR **SW**
0 100mm 250mm 500mm

WARNING: BEWARE OF UNDERGROUND SERVICES. THE LOCATIONS OF UNDERGROUND SERVICES ARE INDICATIVE ONLY. THEIR EXACT POSITION SHOULD BE PROVEN ON SITE.
This drawing and design is subject to copyright and may not be reproduced without prior written consent. Contractor to verify all dimensions on site before commencing work. Report all discrepancies to Superintendent prior to construction. Figured dimensions to be taken in preference to scaled drawings.
//CONCRETEDREAMS//

DRAWING NUMBER **08 CD** REV **JANUARY 2020**



TYPICAL CONSTRUCTION METHOD

HARD COMPACT FILL TO BULK FORM
 EXCAVATE VERTICAL FACE AND STRIP FOOTING
 POUR STRIP FOOTING WITHIN 12 HOURS
 FORM AND POUR RETAINING WALL AGAINST VERTICAL FILL FACE
 POUR PLATFORM AND SET COPING AT THIS STAGE
 SHAPE AND REMOVE FILL TO REQUIRED TRANSITION FORM
 INSTALL REO AND SHOTCRETE TRANSITION
 USE ONLY APPROVED SCREEDS TO ACHIEVE PERFECT RADIUS FINISH
 WITH NO SURFACE DEVIATION FROM THE REQUIRED CURVE
 BURNISH FINISH WITH STEEL TROWEL AND WATER APPLIED
 ALWAYS MAINTAIN REQUIRED COPING CLEARANCES
 SEAL WITH 'SAME-DAY' SEALER AS PER PRODUCT SPECIFICATIONS

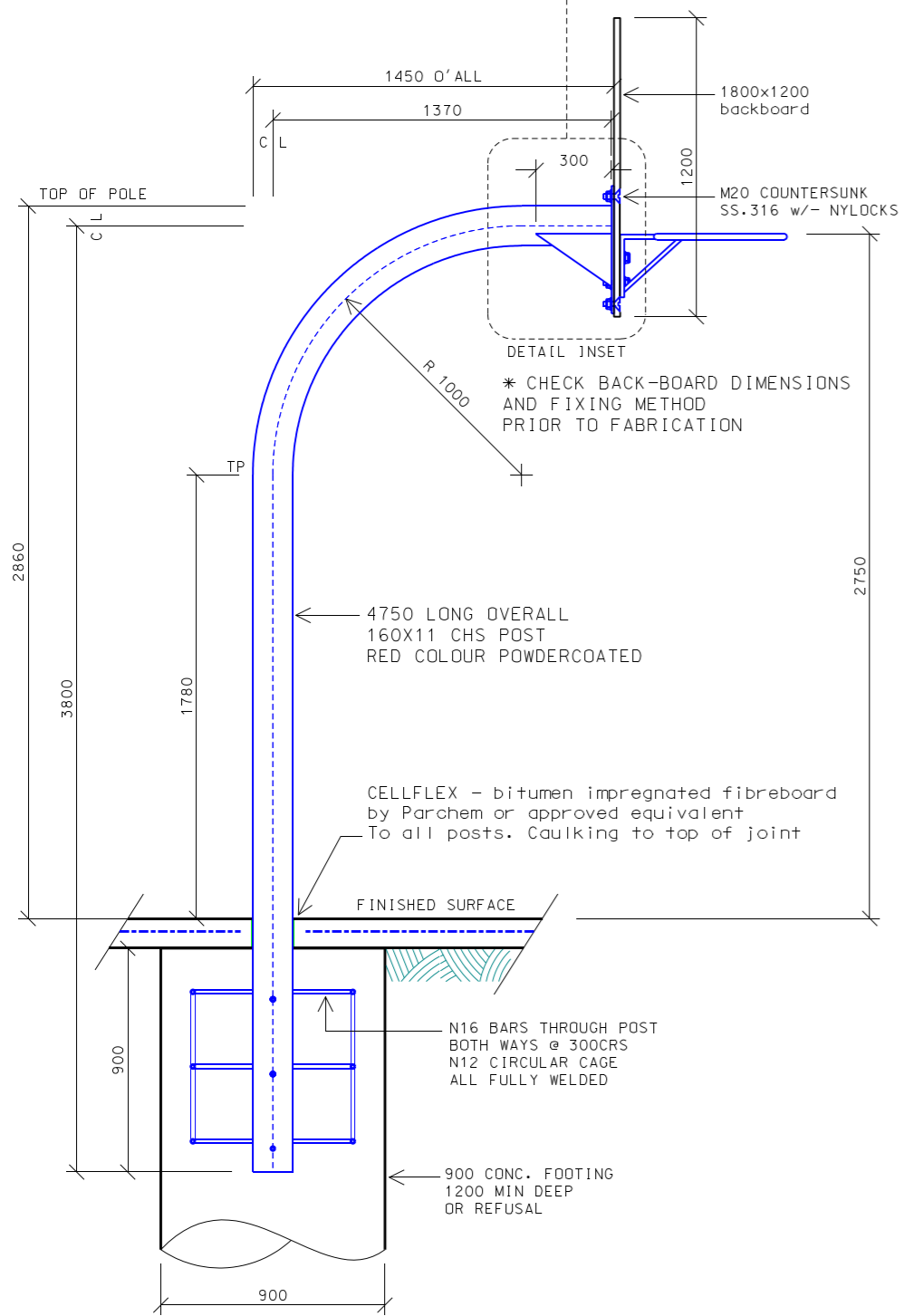
50X5 CHS COPING
 REFER TO COPING INSTALLATION DETAIL

SHOTCRETE APPLY ALL TRANSITIONS
 5MM NOM. AGG

ALL JOINTS TO BE SEAMLESS
 MIN 150MM SLAB THICKENING
 AT TOE OF ALL TRANSITIONS
 TYPICAL N12 SLAB CONNECTION

COMPACTED FILL PLACED IN 150 LAYERS
 AND 50MM APPROVED BEDDING UNDER PLATFORM,
 FLAT SLABS, LOW RAMPS, FOOTINGS AND OTHER FEATURES

09 B QUATER-PIPE AND RETAINING WALL DETAIL SECTION



09 A BASKET-BALL POLE & FOOTING DETAIL ELEVATIONS

LIGHT POLE
 INSTALLED TO MANUFACTURERS SPECIFICATION

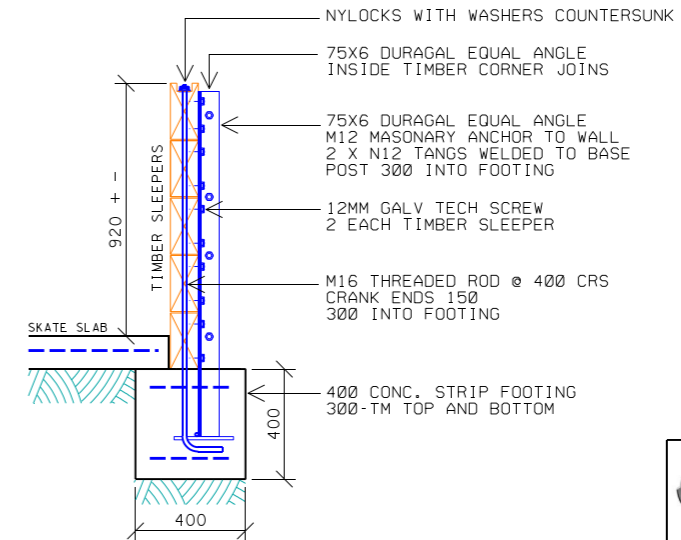
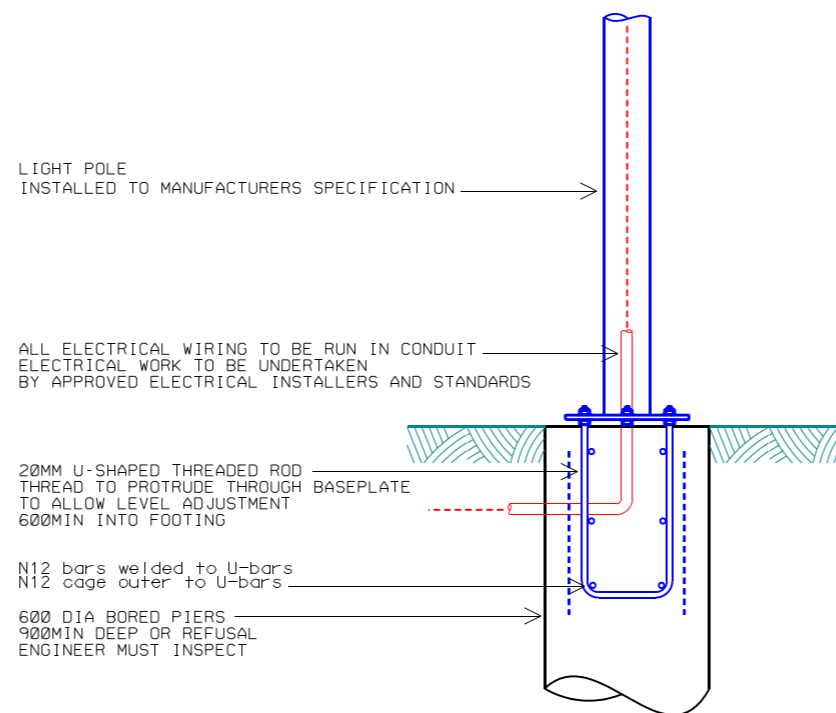
ALL ELECTRICAL WIRING TO BE RUN IN CONDUIT
 ELECTRICAL WORK TO BE UNDERTAKEN
 BY APPROVED ELECTRICAL INSTALLERS AND STANDARDS

20MM U-SHAPED THREADED ROD
 THREAD TO PROTRUDE THROUGH BASEPLATE
 TO ALLOW LEVEL ADJUSTMENT
 600MIN INTO FOOTING

N12 bars welded to U-bars
 N12 cage outer to U-bars

600 DIA BORED PIERS
 900MIN DEEP OR REFUSAL
 ENGINEER MUST INSPECT

09 C LIGHT POLE FOOTING DETAIL SECTION



09 D TIMBER RETAINING WALL SECTION

CONCRETE DREAMS

SIMON WILLIAMS
 208 SUMMERLEAS ROAD
 KINGSTON TAS 7050
 T 0432 515 659
 CONCRETEDREAMS@INTERNODE.ON.NET

PROJECT **SISTERS BEACH REC PARK**

CLIENT **BEN SAWARD AND THE SISTERS BEACH SKATE GROUP**

CONSULTING ENGINEER **TBC**

DRAWING TITLE **CONCRETE CONSTRUCTION DETAILS**

SCALE

DRAWN **SW**

CHECKED **SW**

DIRECTOR **SW**

0 500mm 1000mm

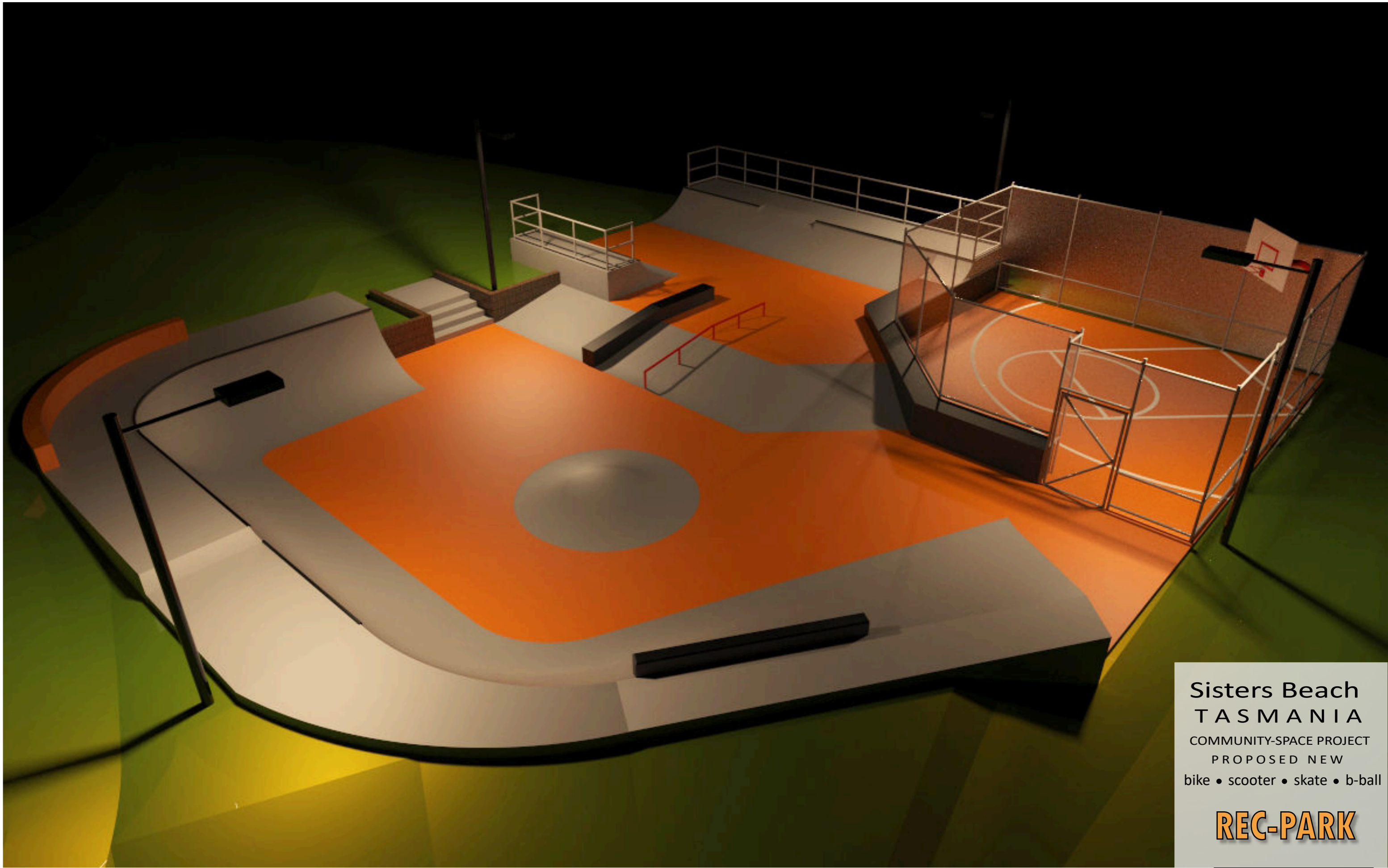
WARNING:
 BEWARE OF UNDERGROUND SERVICES. THE LOCATIONS OF UNDERGROUND SERVICES ARE INDICATIVE ONLY. THEIR EXACT POSITION SHOULD BE PROVEN ON SITE.

This drawing and design is subject to copyright and may not be reproduced without prior written consent. Contractor to verify all dimensions on site before commencing work. Report all discrepancies to Superintendent prior to construction. Figure dimensions to be taken in preference to scaled drawings.

//CONCRETEDREAMS//

DRAWING NUMBER **09 CD** REV

09 CD JANUARY 2020



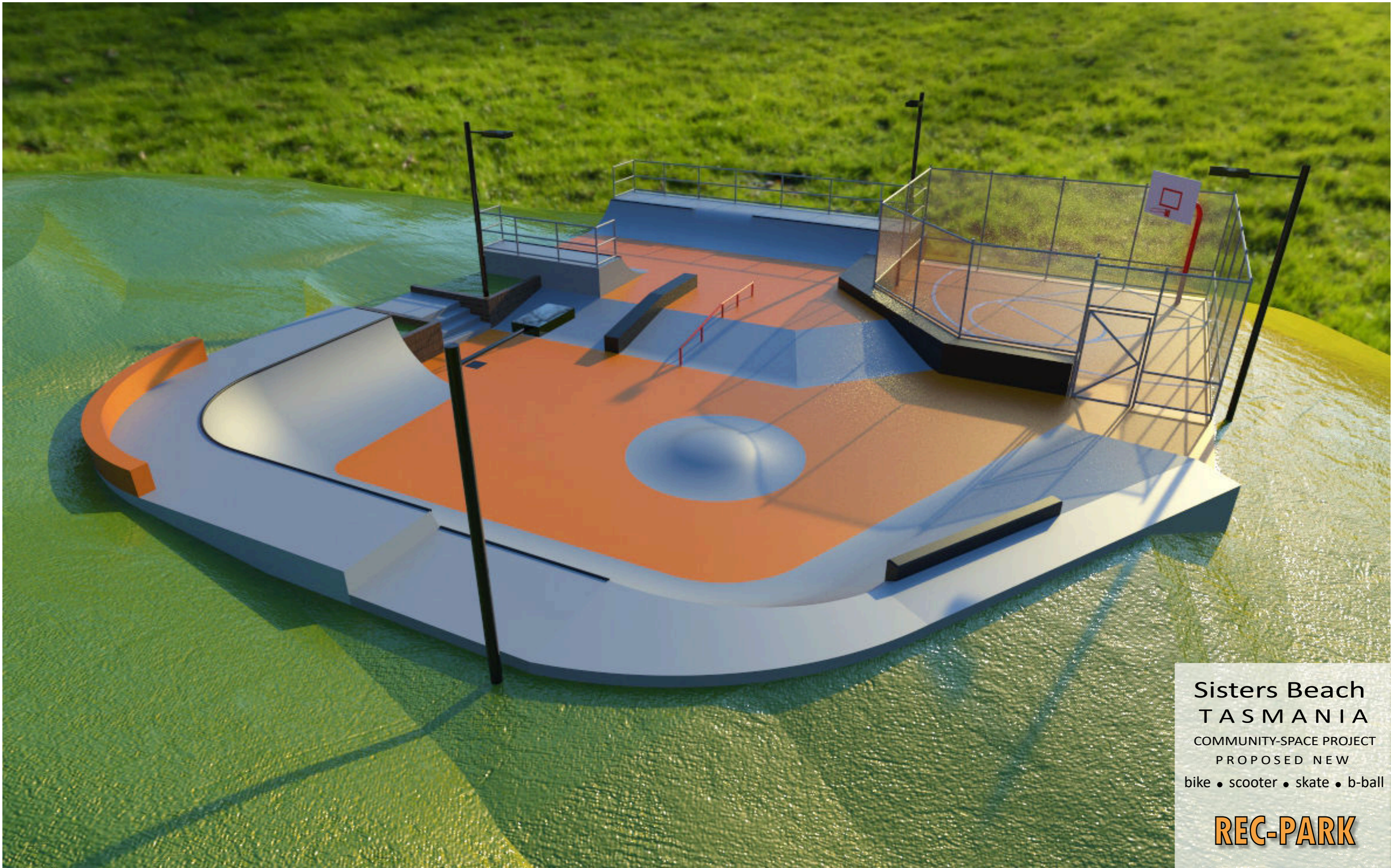
Sisters Beach
TASMANIA
COMMUNITY-SPACE PROJECT
PROPOSED NEW
bike • scooter • skate • b-ball

REC-PARK

SUGGESTED LIGHTING DECROLUX lighting system
MODEL IES-LC6423-VERTEX-230W-5K-130
as per lighting design
footing and fastening to manufacturers
recommendation.

10 APPROXIMATE LIGHTING MODEL

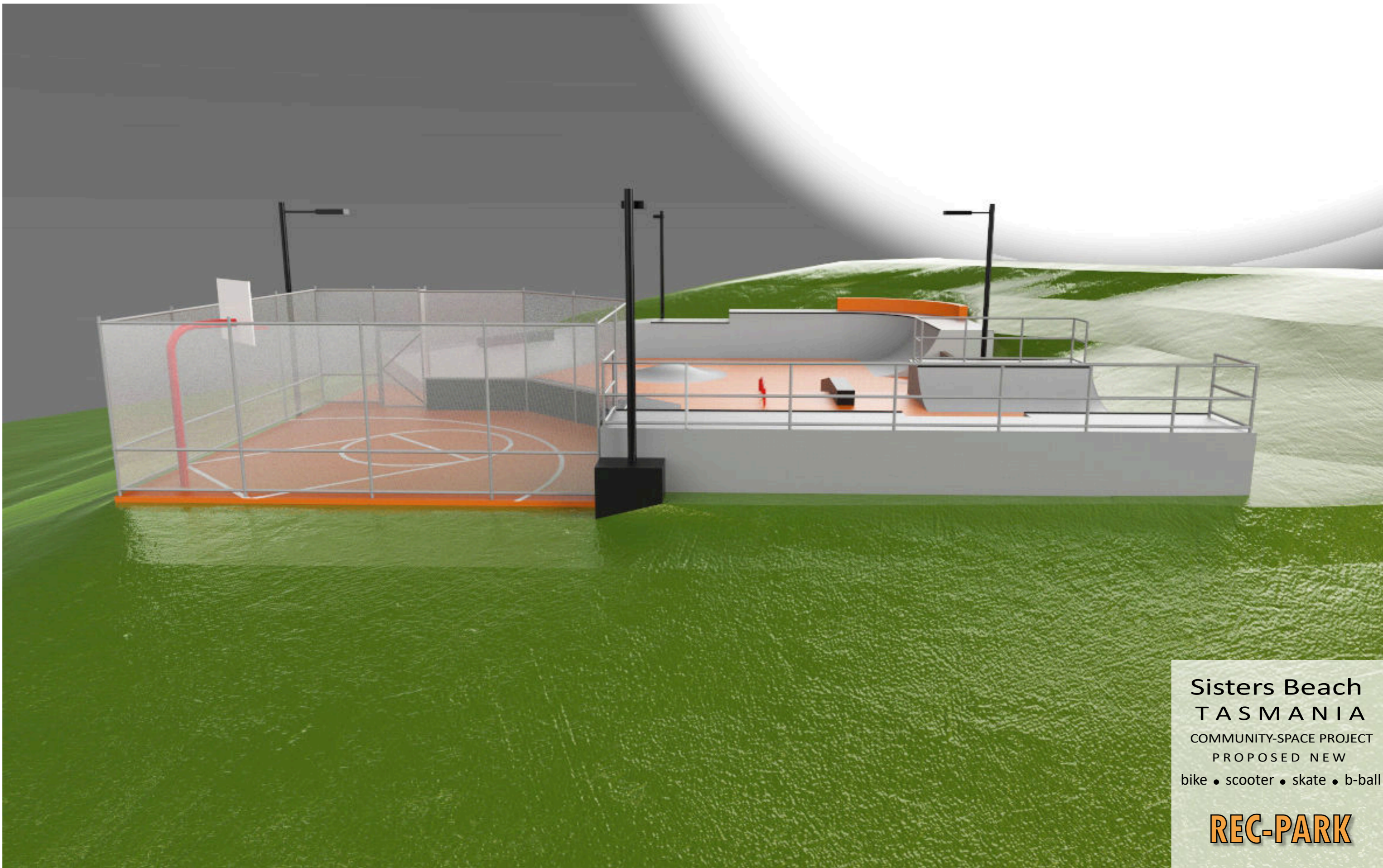




Sisters Beach
TASMANIA
COMMUNITY-SPACE PROJECT
PROPOSED NEW
bike • scooter • skate • b-ball

REC-PARK





Sisters Beach
TASMANIA
COMMUNITY-SPACE PROJECT
PROPOSED NEW
bike • scooter • skate • b-ball

REC-PARK